

CABLE 040 RF: RF CABLE ASSEMBLY, HIROSE W.FL + SMA FEMALE BULKHEAD + 0.81MM CABLE - 3GHz

SPECIFICATIONS:

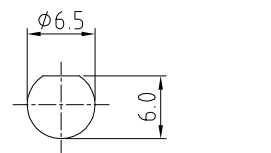
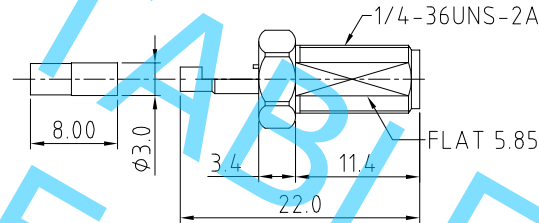
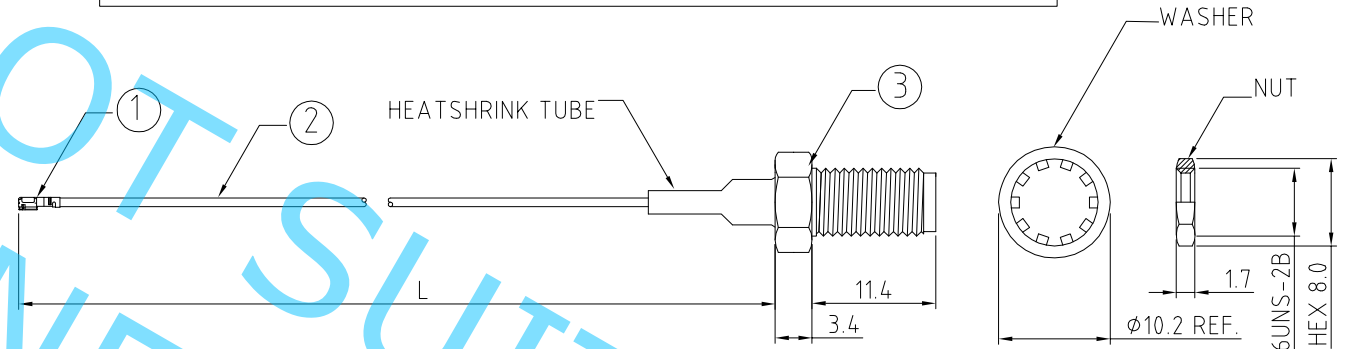
1. HIROSE W.FL PLUG (W.FL-LP-040)
2. 0.81MM COAXIAL CABLE, COLOR: GRAY
3. SMA STRAIGHT BULKHEAD JACK (C02ABWS178003B), GOLD

NOTES:

1. THE ORIENTATION OF CONNECTORS ON DRAWING IS FOR REFERENCE ONLY, IF THE ORDER IS LEFT BLANK THE CONNECTOR WILL NOT HAVE FIXED ORIENTATION.
2. FIXED ORIENTATION IS SUGGESTED FOR CABLE LENGTH 25MM TO 100MM. PLEASE SPECIFY THE FIXED ORIENTATIONS FROM THE ORDER CODE (F1, F2, ETC)
3. CONTACT GRAD CONN IF THE ORIENTATION YOU REQUIRE IS NOT SHOWN.
4. WORKING FREQUENCY RANGE: DC-3GHz  $\Delta$
5. OPERATING TEMPERATURE: -40°C TO +90°C
6. IMPEDANCE: 50 OHM.

USAGE PRECAUTIONS: CABLES USING 'MICRO' COAX ARE DELICATE:

- (i) HANDLE WITH CARE.
- (ii) DO NOT TWIST; APPLY EXCESSIVE FORCES OR SHARP BENDS TO THE CABLE. DO NOT FORCEFULLY DEFORM WIRES.
- (iii) CONSULT CONNECTOR MANUFACTURER'S DATASHEETS FOR DETAILED NOTES ON HANDLING INSTRUCTIONS.

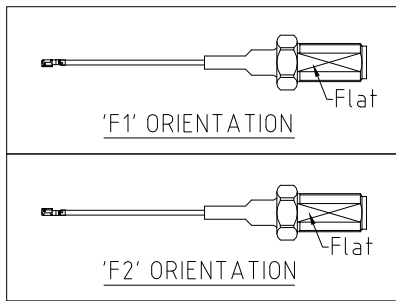


HOW TO ORDER  
CABLE 040 RF - X X X - X X - X

"L" LENGTH IN MM  
eg: 100MM = 0100  
(MIN. 025-MAX.400)  
STANDARD = 100, 150, 200  
Tolerance: <50mm : ±2mm.  
51-200mm: ±5mm.  
201-400mm: ±7mm.

WASHER AND NUT OPTIONS:  
BLANK = SEPERATELY PACKED (STANDARD)  
A = ASSEMBLED WITH CONNECTOR

ORIENTATION OPTIONS:  
BLANK = DOES NOT HAVE A FIXED ORIENTATION  
F1 = WFL CONNECTION DOWN (L=25-100MM)  
F2 = WFL CONNECTION UP (L=25-100MM)  
(SEE NOTES 1, 2, 3 AND DIAGRAMS FOR MORE INFORMATION)



REV. DATE & DRN	10 20/03/08 - NYW RELEASE
	11 05/12/08 - NYW ADD WASHER AND NUT OPTIONS.
	12 18/08/09-PCY ADD WORKING FREQUENCY RANGE.
	13 18/10/19 - NYW ADD ORIENTATION OPTIONS. ADD NOTES.

Scale: NTS	THIRD ANGLE	Unstated X .XX .XXX ANGLES	Tolerances: N/A N/A N/A N/A	Material: SEE NOTE
Drawn: NYW				
App'd: XXX	Title: CABLE ASSEMBLY	NOT TO SCALE		
Date: 18 OCT. '19	Revision: 13	Unit: mm		

**GRADCONN**  
www.gradconn.com

© THIS DRAWING IS CONFIDENTIAL AND MUST NOT BE COPIED OR DISCLOSED WITHOUT WRITTEN CONSENT

Type: Cable 040 RF
CABLE 040 RF
Drawing Number:
Sheet 1 of 1
Drawing © E and O E